

FEATHER TOUCH & ULTRA FEATHER TOUCH

Glass Solutions

Solartron Metrology, a world leader in Precise Linear Measurement, provides multiple solutions for the gauging of Glass for Automotive, Electronics, and other industries.

Light Touch

Solartron's Feather Touch Probes have a 0.18 N to 0.3N of tip force, and are available with nylon or ruby tips.

- Easy, precise measurements and data allocation
- As low as 1 micron accuracy. 0.01 micron resolution and 0.15 micron repeatability.
- 2 mm to 30mm Measurement Range
- High Accuracy, Resolution and Repeatability

Ultra Light Touch

Solartron's Ultra Feather Touch Probes provide just 0.03 to 0.05N of tip force, with nylon, ruby, and flat tips available.

- 10mm measurement range
- Excellent resolution and repeatability.

Quick Readings

Gauging with Solartron means multiple, quick reliable measurements of any free form shape using a custom gauge. All readings can instantaneously be output to a PC or PLC.

Lower Costs

The quick cycle times and repeatable measurements means cost savings in labor as well as higher quality standards

Robust Network

Up to 200 Sensors - Contact, Non Contact, and 3rd party - can easily be connected via the Solartron Orbit® Network

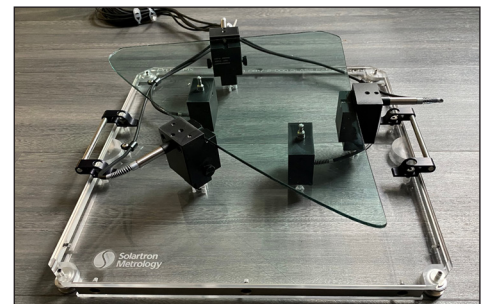
- Calibrated Digital Sensors
- Output to PC via USB, or PLC via Ethernet/IP®, Profinet®, EtherCAT®, Modbus TCP/IP, or Modbus (serial). CC Link® also available
- Output Data to Excel Sheets or any SPC software
- Solartron software packs also available

Durable

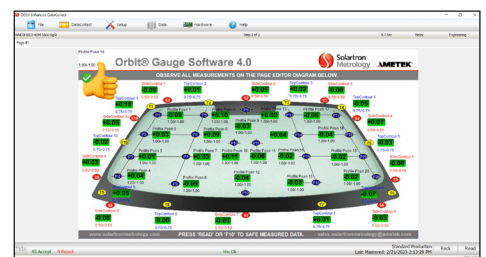
Solartron probes are tested to millions of cycles, and will last for years if cared for properly.



Ultra Feather Touch probes checking a glass form



Feather Touch probes are often used to check Automotive Glass



Screen of Orbit® Gauge Software, which can network dozens of sensors, and then output data in several different formats


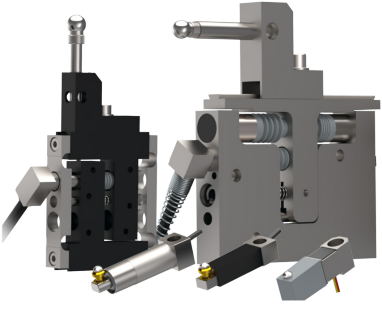

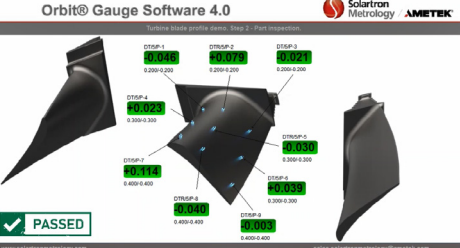

THE ORBIT® NETWORK

ORBIT® – The Total Measurement System from Solartron Metrology

The Solartron Orbit® Digital Measuring System provides a limitless set of measurement solutions, with numerous different interfaces to computers and PLC's.



Related Products

 <p>Orbit® LT</p>	 <p>Specialist Transducers</p>	 <p>Piston Push "Jet J" Pneumatic Probes</p>
 <p>Orbit® Gauge Software (OGS)</p>		 <p>SI 8400</p>